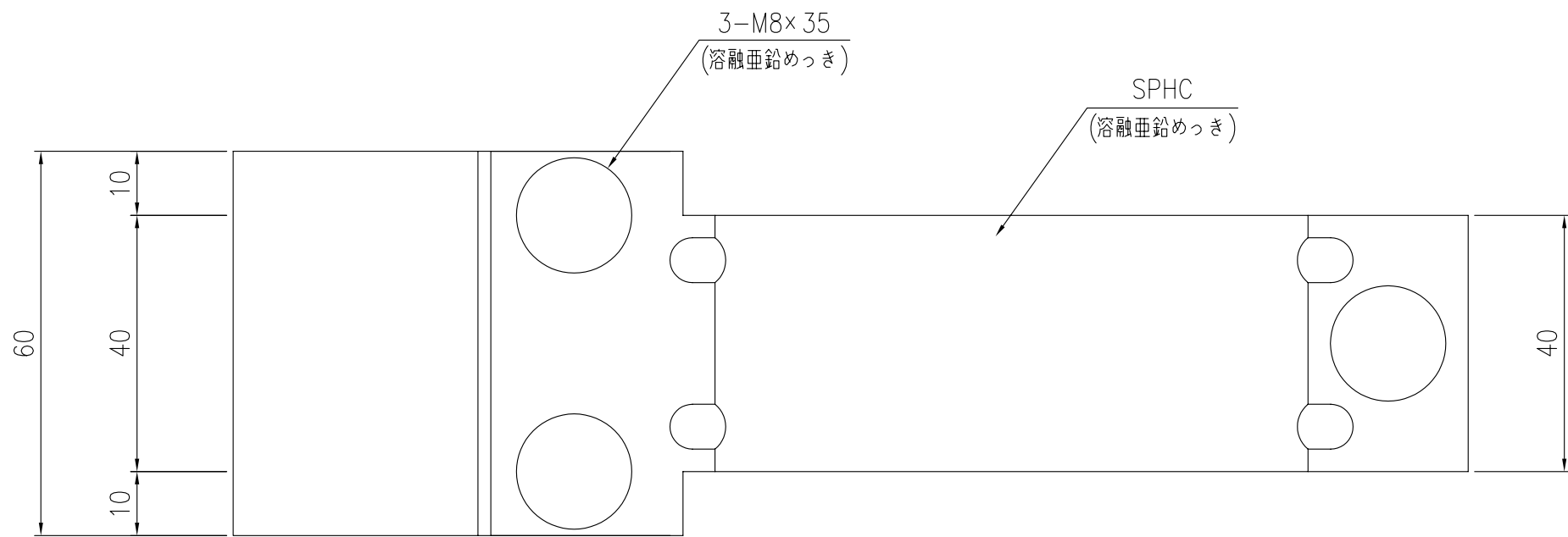
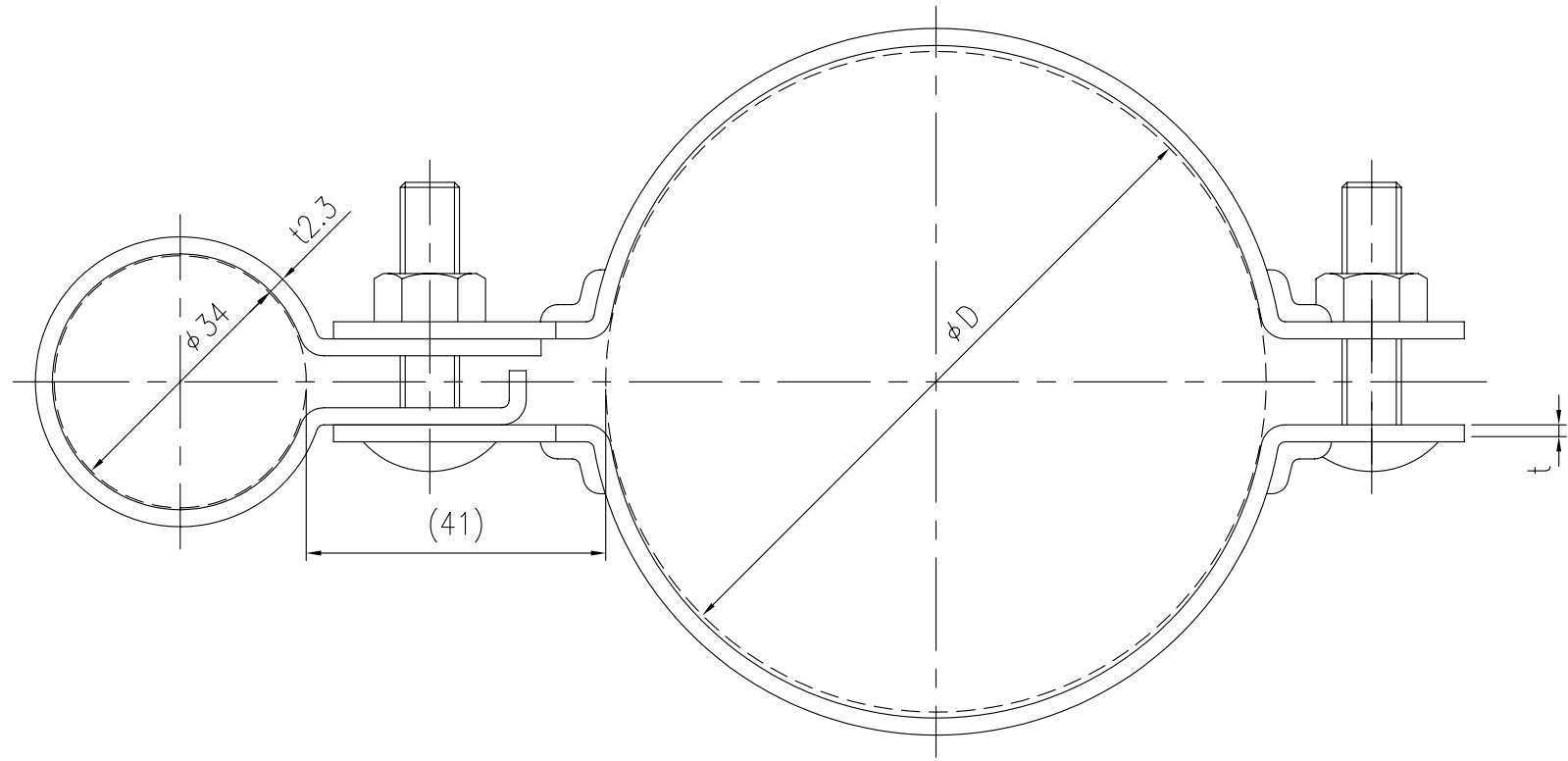


$\phi D$	t
89.1	2.3
101.6	2.3



S=1/1